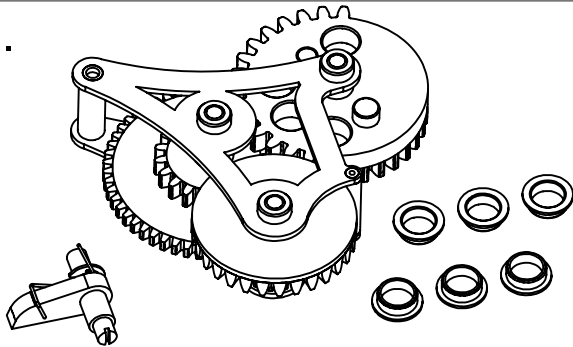


## Instruction Manual

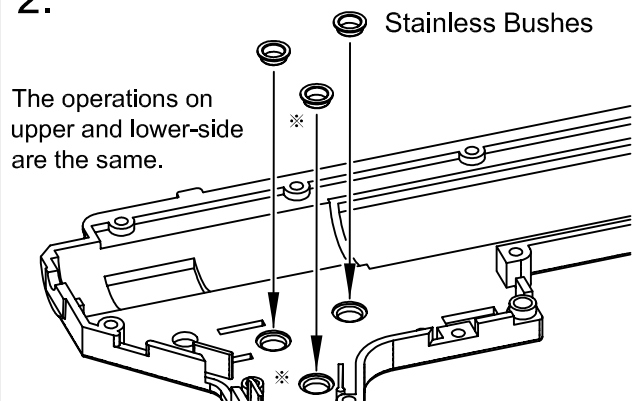
### Modular Gear Set Included:

- 1) Modular Gear Set with Tempered Stainless Bushes (Double Oil Grooves), 1 Set
- 2) Stainless Bushes, 6 pieces.
- 3) Anti-reversal Latch, 1 piece.
- 4) Synthetic Lubricant with PTFE, 1 piece.

1.

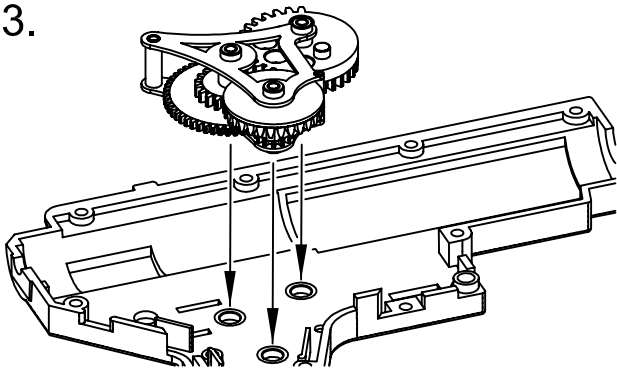


2.

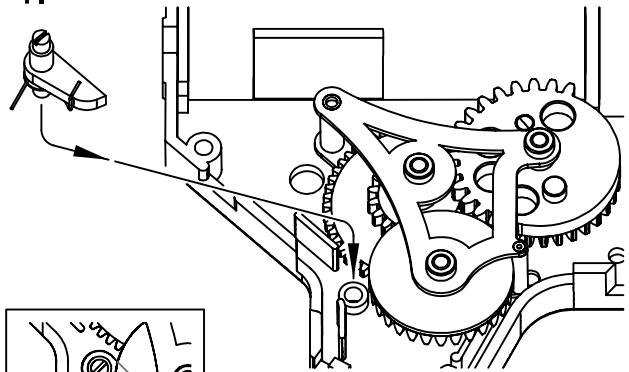


※ Please do not install the stainless bushes for the Bevel Gear when use on J.G, echo1 gearbox.

3.

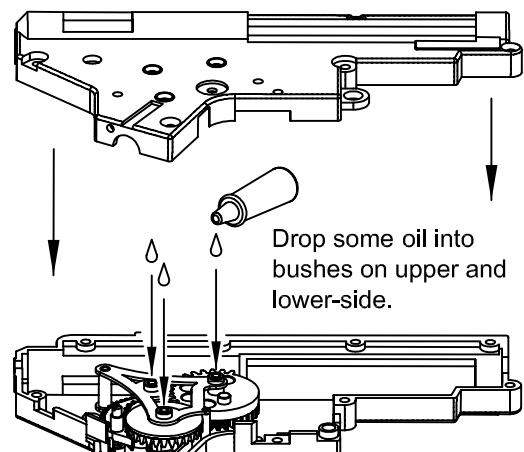


4.

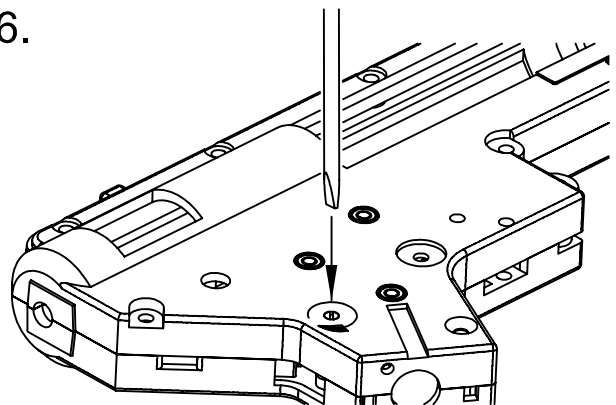


Attach the spring correctly as shown left.

5.



6.



### Maintain Tips:

- 1) Screw the anti-reversal latch with a screwdriver clockwise about 60 degrees to release the spring. When a spring is released, a release sound is output.
- 2) Remove the Modular Gear Set from the case.
- 3) Clean the Modular Gear Set and drop some oil onto the bushes, then turn around the gears and let the oil sink in. The shafts and the bushes will be oiled.